

PRODUCT CERTIFICATION

TYPE II CQC CERTIFICATION

CERTIFICATE NO.: CQC2016010302862502

Valid from: Apr.16,2021

Valid until: Apr.16,2031

NAME AND REGISTERED ADDRESS OF THE APPLICANT SOCOMEC China Co.,Ltd.
Unit k, 6/F, No.258 , Fute North Road, Pilot Free Trade Zone Shanghai, P.R.China

NAME AND REGISTERED ADDRESS OF THE MANUFACTURER SOCOMEC S.A
1, Rue De Westhouse 67230 Benfeld Cedex France

NAME AND LOCATION OF THE FACTORY SOCOMEC S.A
1, Rue De Westhouse 67230 Benfeld Cedex France

PRODUCT NAME, MODEL AND SPECIFICATION Switch-disconnector
INOSYS LBS 800A,INOSYS LBS 1000A,INOSYS LBS 1250A;See the appendix

THE STANDARDS AND TECHNICAL REQUIREMENTS FOR THE PRODUCTS GB/T 14048.3-2017

TYPE OF CERTIFICATION SCHEMES Type Testing of Product + Initial Factory Inspection + Follow up Factory Inspection

This is to certify that the above mentioned product(s) complies with the requirements of certification rules of CQC12-000001-2020.
The validity of the certificate is subject to positive result of the regular follow up inspection by issuing certification body until the expiry date.

The certificate information is available through the QR code below or CNCA's website: www.cnca.gov.cn



SIGNED BY:

PRESIDENT:

CHINA QUALITY CERTIFICATION CENTRE



产品认证证书

II型自愿认证

附录

证书编号: CQC2016010302862502

第 1 页 共 1 页

纸 号: 31493

INOSYS LBS 800A, INOSYS LBS 1000A, INOSYS LBS 1250A;

额定冲击耐受电压 (U_{imp}): 12kV;

额定绝缘电压 (U_i): 1500V;

约定发热电流 (I_{th}): 800A, 1000A, 1250A;

额定工作电压 (U_e): DC1000V;

额定工作电流 (I_e): 800A, 1000A, 1250A;

额定短时耐受电流 (I_{cw}): 8kA/1s;

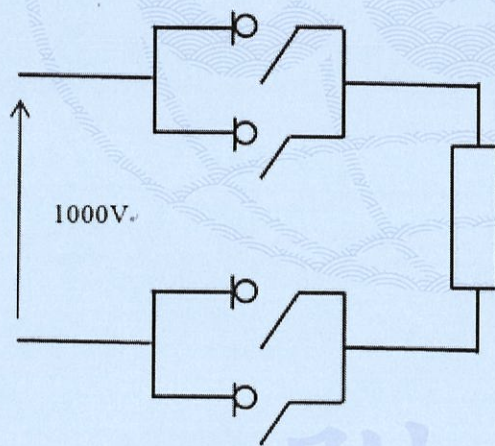
额定短路接通能力 (I_{cm}): 10kA;

使用类别: DC-21B;

极数: 4P 外形, 见直流接线方式;

直流接线方式:

4P 外形:



注: 此附录与证书同时使用时有效。



中国质量认证中心